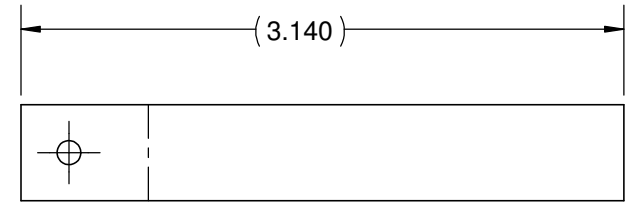
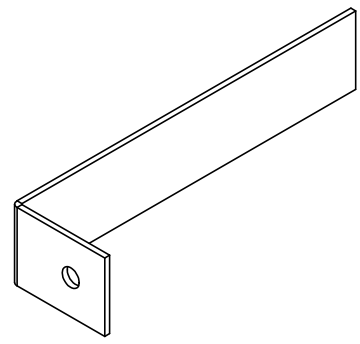
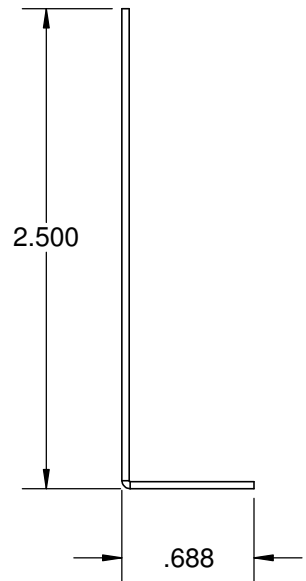
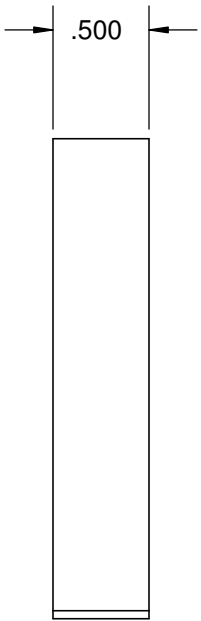
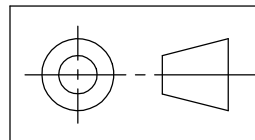
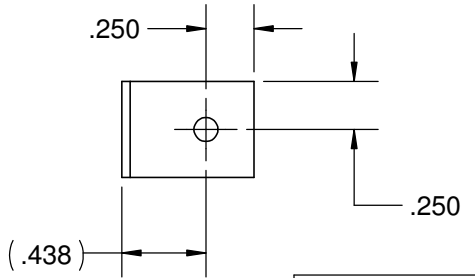


REVISIONS			
REV.	DESCRIPTION	DATE	BY
0	INITIAL RELEASE	11/2/2020	MC



FLAT PATTERN



UNLESS OTHERWISE SPECIFIED,
DIMENSIONS ARE IN INCHES

TOLERANCES:
FRACTIONAL: ± 0.030
ANGULAR: ± 1°
TWO PLACE DECIMAL: ± 0.004
THREE PLACE DECIMAL: ± 0.004

MATERIAL SEE NOTES
FINISH SEE NOTES

K&J Magnetics, Inc.			
TITLE: MHD DRIVE PLATE			
SIZE A	DWG. NO. 11818	REV 0	
SCALE	DO NOT SCALE DRAWING	SHEET 1 OF 1	

PROPRIETARY AND CONFIDENTIAL: THE INFORMATION CONTAINED IN THIS DRAWING IS THE SOLE PROPERTY OF K&J MAGNETICS, INC. ANY REPRODUCTION IN PART OR AS A WHOLE WITHOUT THE WRITTEN PERMISSION OF K&J MAGNETICS, INC. IS PROHIBITED